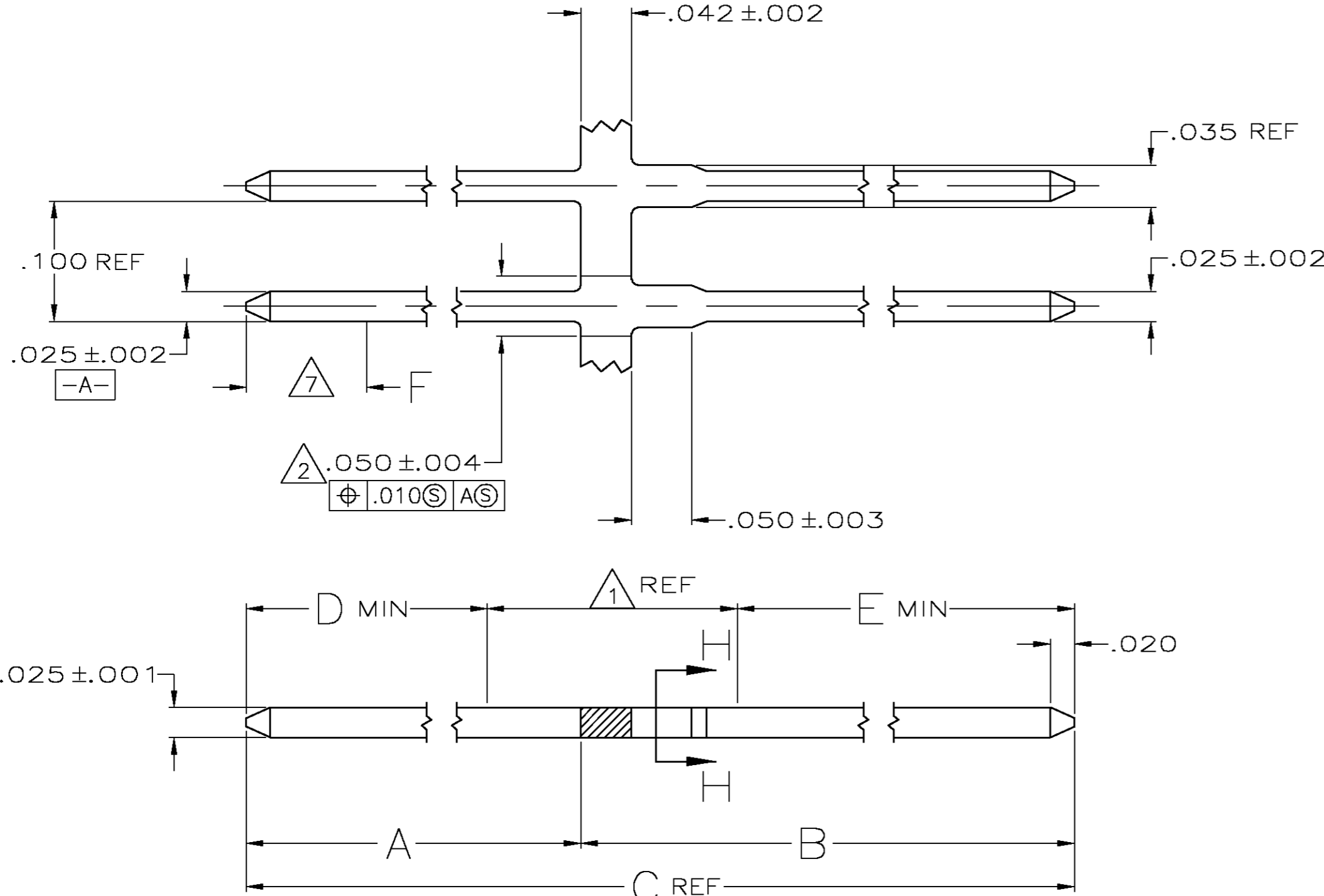
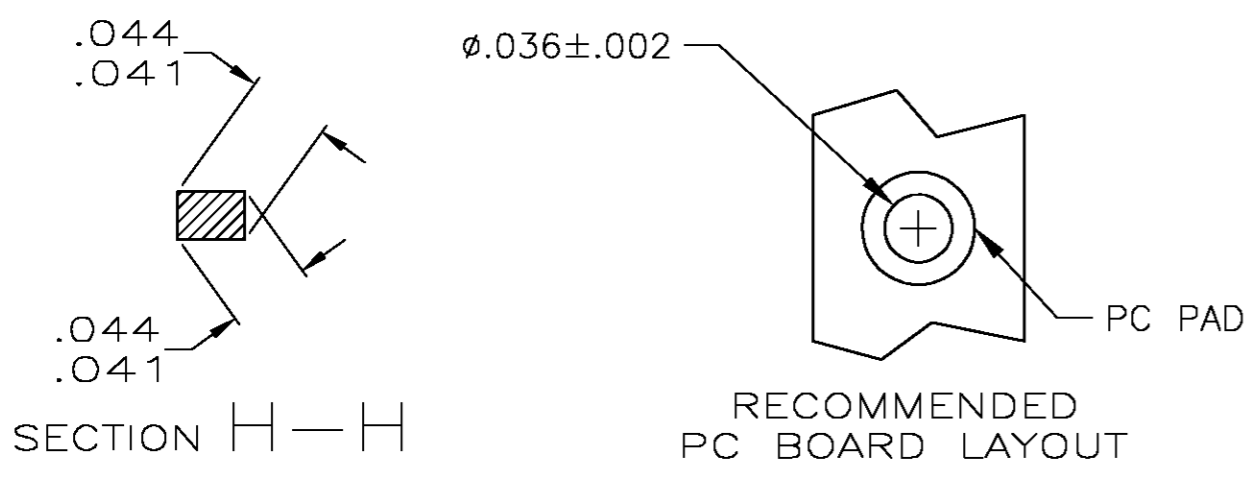


THIS DRAWING IS UNPUBLISHED. RELEASED FOR PUBLICATION  
 © COPYRIGHT BY TYCO ELECTRONICS CORPORATION. ALL RIGHTS RESERVED.

LOC		DIST		REVISIONS			
AD	31	P	LTR	DESCRIPTION	DATE	DWN	APVD
		F1		ECR-05-001644	14JUL05	MB	JO



- 1 THE AREA BETWEEN D & E WILL BE PLATED WITH .000050 MIN NICKEL
- 2 APPLICATOR CUT-OFF DIMENSION.
- 3 .000030 MIN GOLD OVER .000050 MIN NICKEL
- 4 .000100-.000200 MATTE TIN-LEAD OVER .000050 NICKEL.
- 5 .000015 MIN GOLD OVER .000050 MIN NICKEL.
- 6 .000050 MIN GOLD OVER .000050 MIN NICKEL.
- 7 POINT OF MEASUREMENT FOR PLATING THICKNESS.
- 8 .000100-.000200 MATTE TIN OVER .000050 NICKEL.
- 9 ROHS 2002/95/EC COMPLIANT.



SUPERSEDED BY 4-87022-1

OBSOLETE  
 OBSOLETE  
 OBSOLETE  
 OBSOLETE  
 OBSOLETE

.100	8	6	.125	.200	.483	.165	.318	9	5-87623-8	
.100	8	6	.160	.200	.828	.550	.278	9	5-87623-7	
.100	8	6	.220	.200	.628	.350	.278	9	5-87623-6	
.100	8	6	.280	.200	.688	.410	.278	9	5-87623-5	
.100	8	5	.125	.200	.443	.165	.278	9	5-87623-4	
.100	8	5	.160	.200	.828	.550	.278	9	5-87623-3	
.100	8	5	.160	.200	1.016	.738	.278	9	5-87623-2	
.100	8	3	.125	.200	.443	.165	.278	9	5-87623-1	
.100	4	6	.125	.200	.483	.165	.318		87623-8	
.100	4	6	.160	.200	.828	.550	.278		87623-7	
.100	4	6	.220	.200	.628	.350	.278		87623-6	
.100	4	6	.280	.200	.688	.410	.278		87623-5	
.100	4	5	.125	.200	.443	.165	.278		87623-4	
.100	4	5	.160	.200	.828	.550	.278		87623-3	
.100	4	5	.160	.200	1.016	.738	.278		87623-2	
.100	4	3	.125	.200	.443	.165	.278		87623-1	
F	FINISH OVER AREA E		FINISH OVER AREA D		E	D	C	B	A	PART NUMBER

THIS DRAWING IS A CONTROLLED DOCUMENT.

DWN: S. A. Shuey 11Dec96  
 CHK: -  
 APVD: S. A. Shuey 11Dec96  
 PRODUCT SPEC: -  
 APPLICATION SPEC: -  
 WEIGHT: -  
 CUSTOMER DRAWING

**tyco Electronics** Tyco Electronics Corporation  
 Harrisburg, Pa 17105-3608

NAME: POST, MOD II  
 SIZE: A2 CAGE CODE: 00779 DRAWING NO: C=87623 RESTRICTED TO: -  
 SCALE: 10:1 SHEET: 1 OF 1 REV: F1